

# Modelle Interiors

---

**Project Title:** The Sitting Room

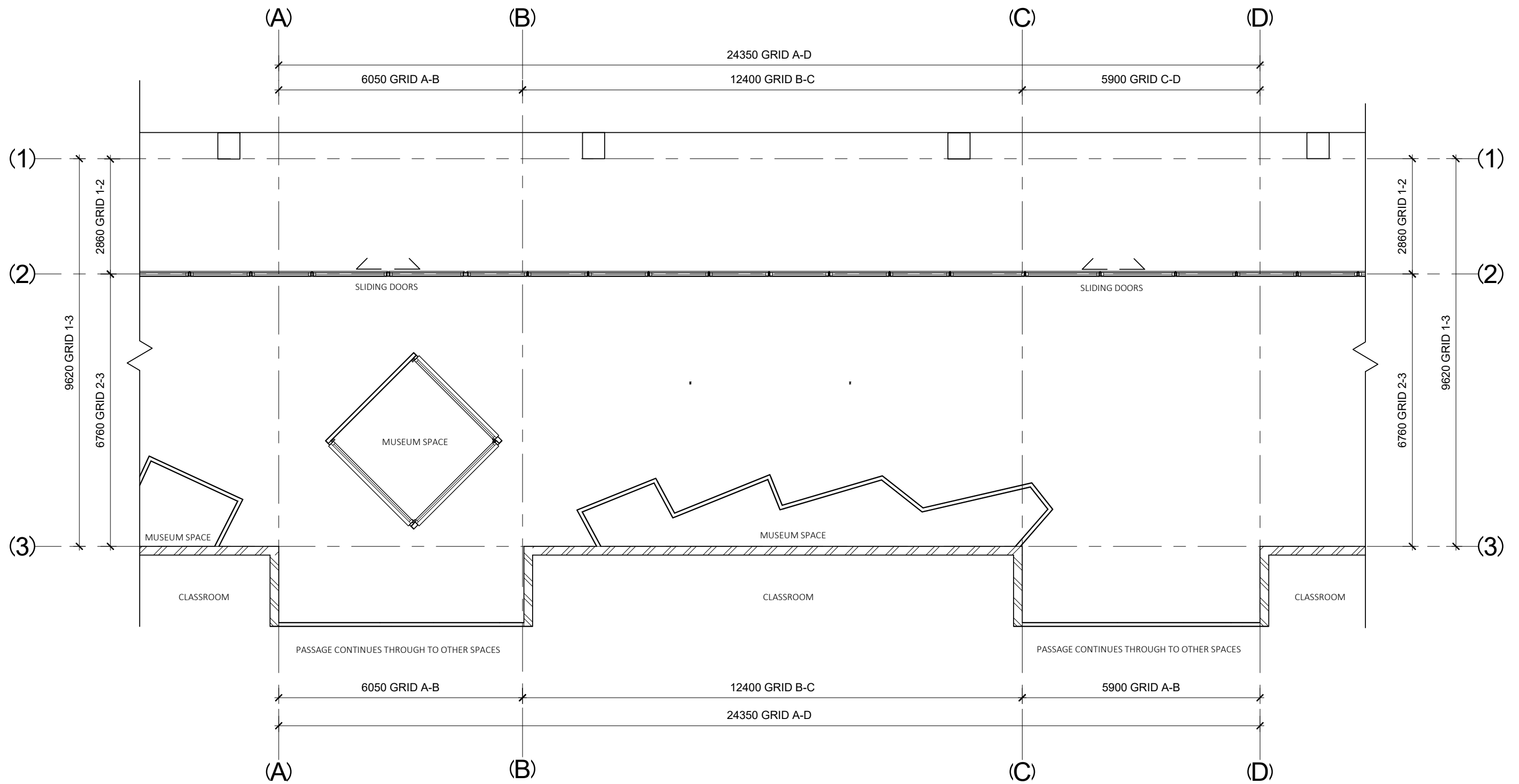
**Site Address:** 900 Dandenong Road,  
Caulfield East ,  
VIC, 3145, Building B,  
Level 2

**Client:** The Standing Room

**Drawn By:** Nawal Makani

**Date:** 24/09/2022

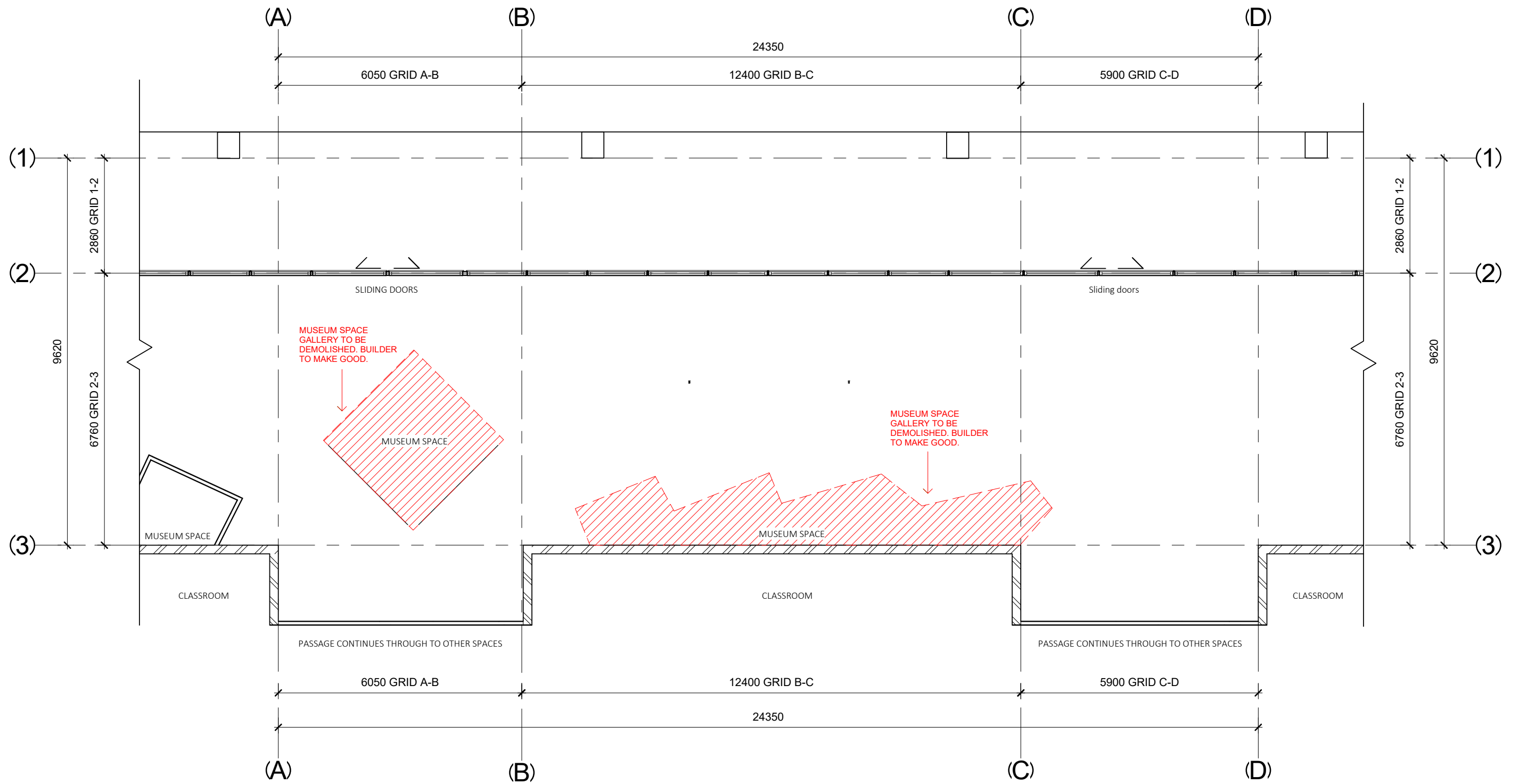
Drawing Number:	Drawing Name:	Drawing Number:	Drawing Name:
IA000	Cover/Content	IA010	Interior Elevation 2
IA001	Existing Conditions	IA011	Exterior Elevation 1
IA002	Demolitions	IA012	Exterior Elevation 2
IA003	RCP Demolitions	IA013	Door and Window Schedule
IA004	Presentation Plan	IA014	Section 1
IA005	General Arrangement Plan	IA015	Section 2
IA006	Dimensional Set Out Plan	IA016	Section Details
IA007	Furniture Plan	IA017	Custom Light Detail
IA008	Lighting Plan	IA018	Menu Board Detail
IA009	Interior Elevation 1	IA019	Fabric Detail



01 **Existing Conditions Plan**  
IA001 1 : 100


**Legend:**

- Concrete pillars
- Interior walls
- Double sliding door
- Structural walls



02  
IA002 **Existing Conditions Demolitions Plan**  
1 : 100

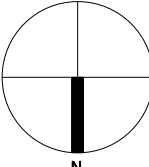
**Legend:**

 To be demolished

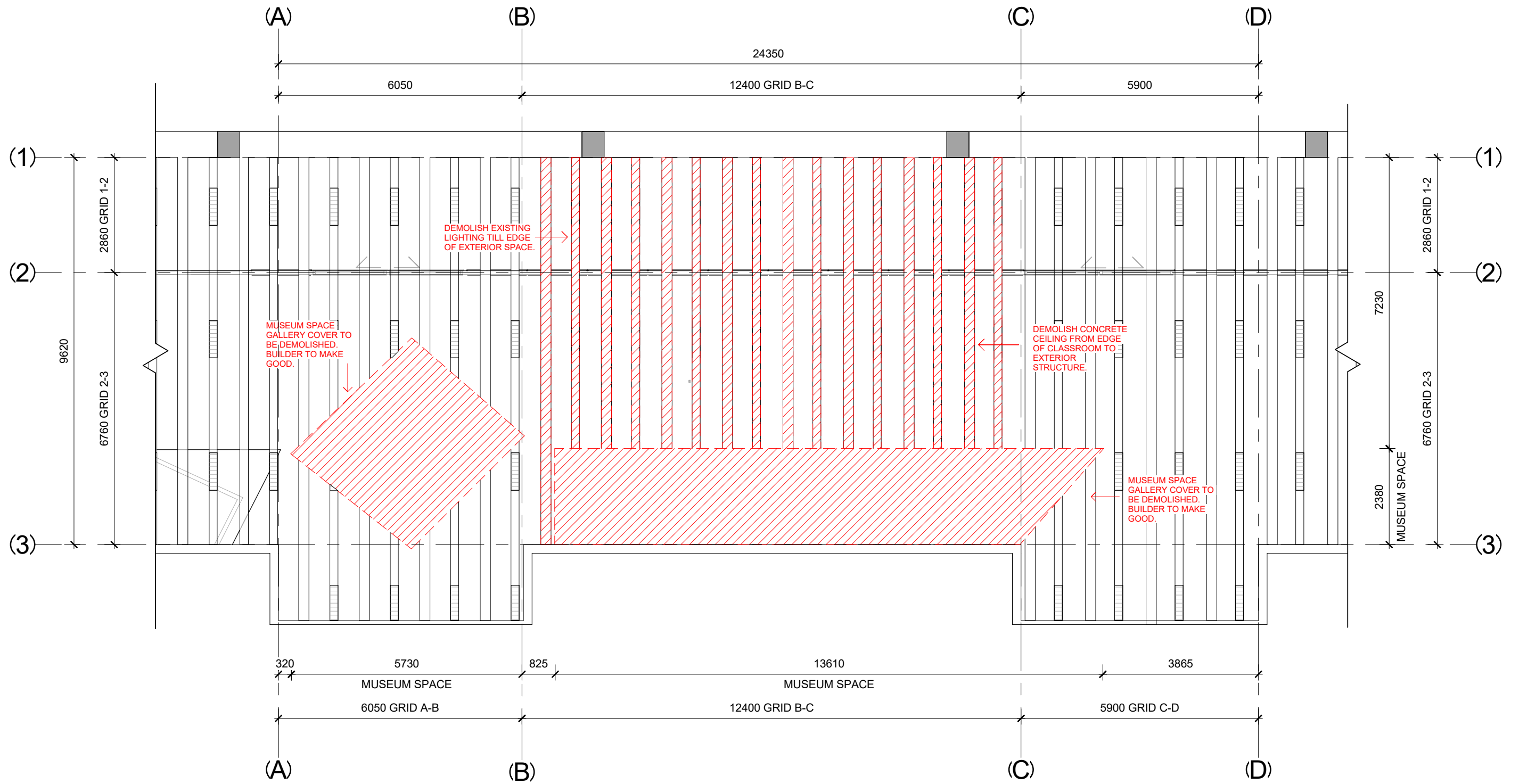
**Modelle Interiors**  
 900 Dandenong Road, Caulfield East,  
 VIC, 3145, Building B, Level 2  
 P: 03 8790 4417  
 M: +61 434 619 767  
 E. modelleinteriors@gmail.com

**Project Title:** The Sitting Room  
**Drawing Number:** IA002  
**Client:** The Standing Room  
**Scale:** 1 : 100

**Drawing Name:**  
**Existing Conditions Demolitions Plan**





  
**Drawn By:** Nawal Makani  
**Date:** 24/09/2022


**Notes:**  
 Read in accordance with legend. Note on comments in red for builder.



03  
IA003 **RCP Demolitions**  
1 : 100

**Legend:**

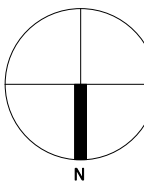
-  Concrete pillars
-  Strip Lighting
-  To be demolished
-  Concrete ceiling strip



**Modelle Interiors**  
900 Dandenong Road, Caulfield East,  
VIC, 3145, Building B, Level 2  
P: 03 8790 4417  
M: +61 434 619 767  
E. modelleinteriors@gmail.com

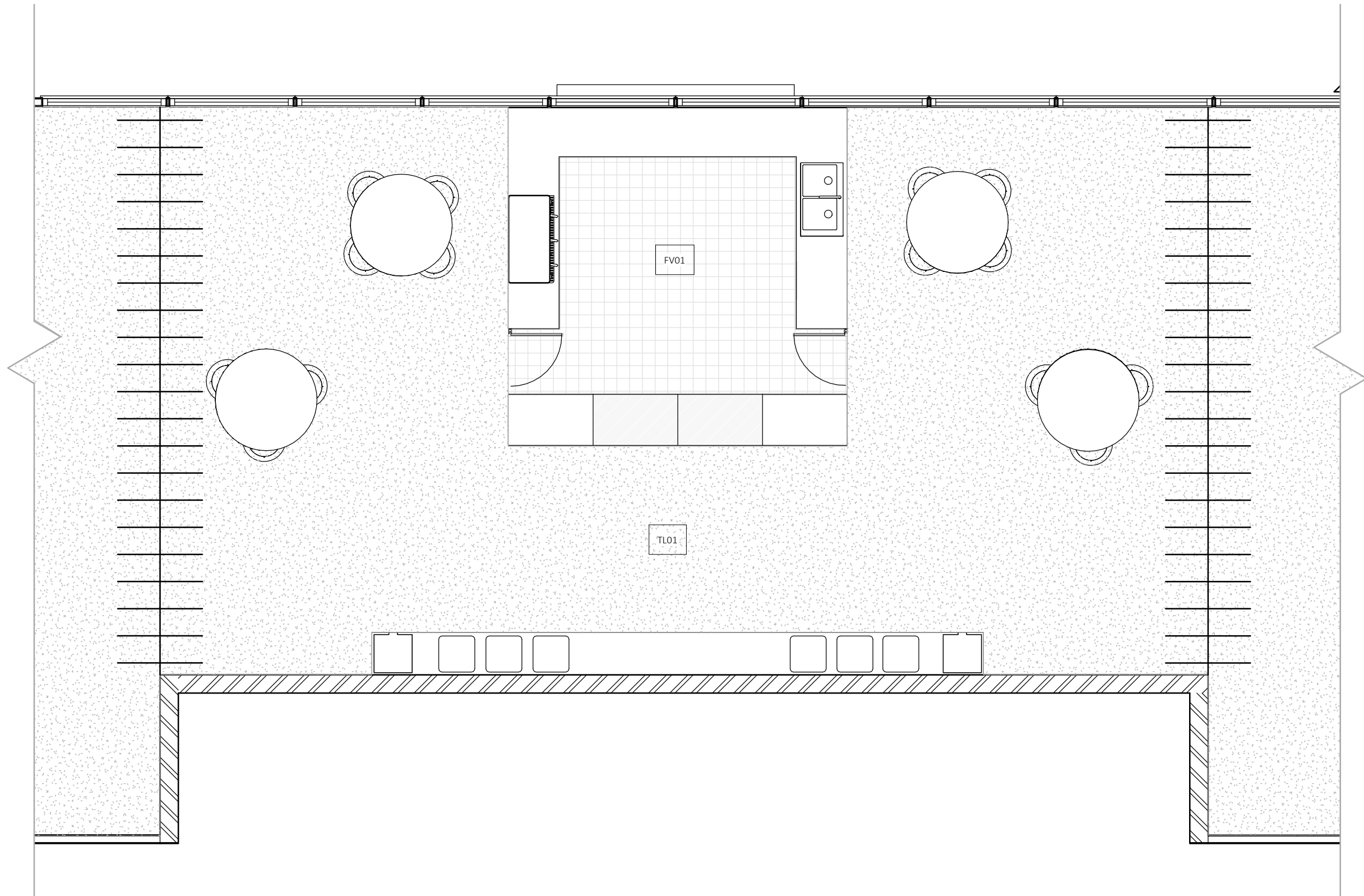
**Project Title:** The Sitting Room  
**Drawing Number:** IA003  
**Client:** The Standing Room  
**Scale:** 1 : 100

**Drawing Name:**  
**RCP Demolitions**


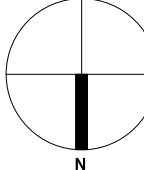


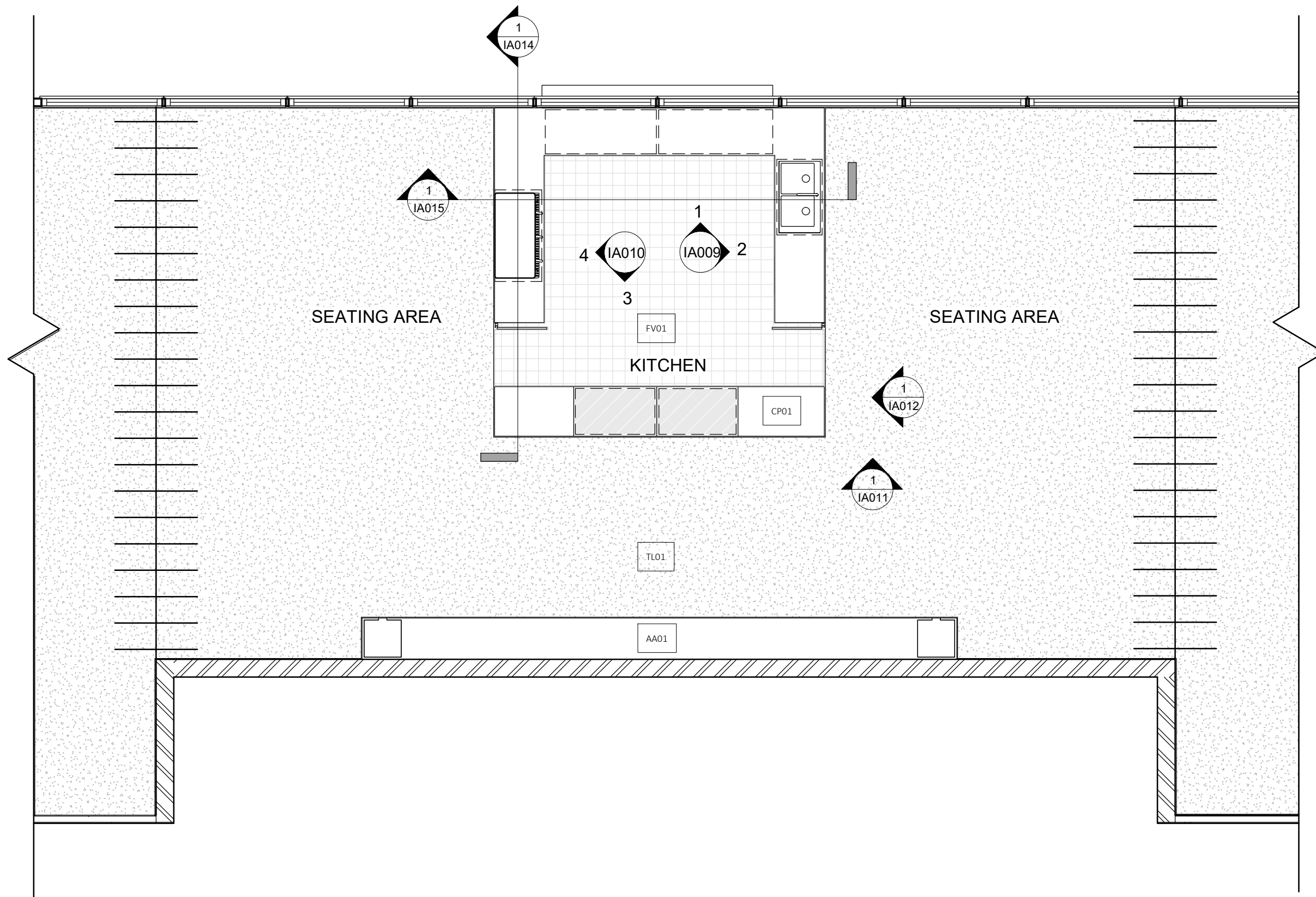
**Drawn By:** Nawal Makani  
**Date:** 24/09/2022

**Notes:**  
To be read with legend. All spaces that are demolished, builder to make good.

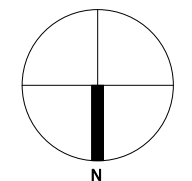


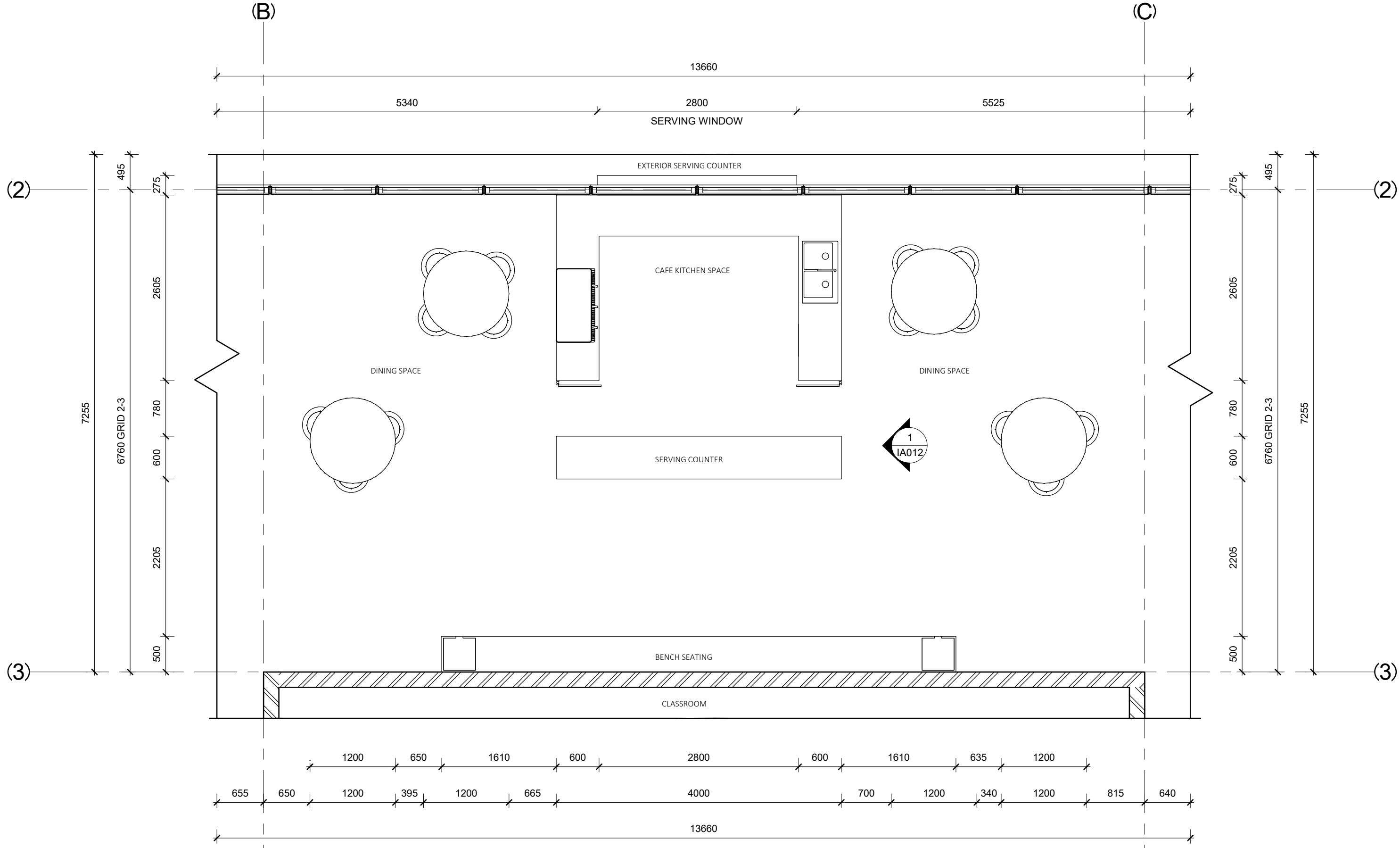
1  
IA004 **Presentation Plan**  
1 : 50

 <p><b>Modelle Interiors</b> 900 Dandenong Road, Caulfield East, VIC, 3145, Building B, Level 2 P: 03 8790 4417 M: +61 434 619 767 E. modelleinteriors@gmail.com</p>	<p><b>Project Title:</b> The Sitting Room</p>	<p><b>Drawing Number:</b> IA004</p>	<p><b>Drawing Name:</b></p>		<p><b>Drawn By:</b> Nawal Makani</p>	<p><b>Notes:</b> Read in accordance with finishes schedule.</p>
	<p><b>Client:</b> The Standing Room</p>	<p><b>Scale:</b> 1 : 50</p>	<p><b>Presentation Plan</b></p>		<p><b>Date:</b> 24/09/2022</p>	



1  
IA005  
**General Arrangement**  
1 : 50





06 IA006 **Dimensional Setout Plan**  
1 : 50

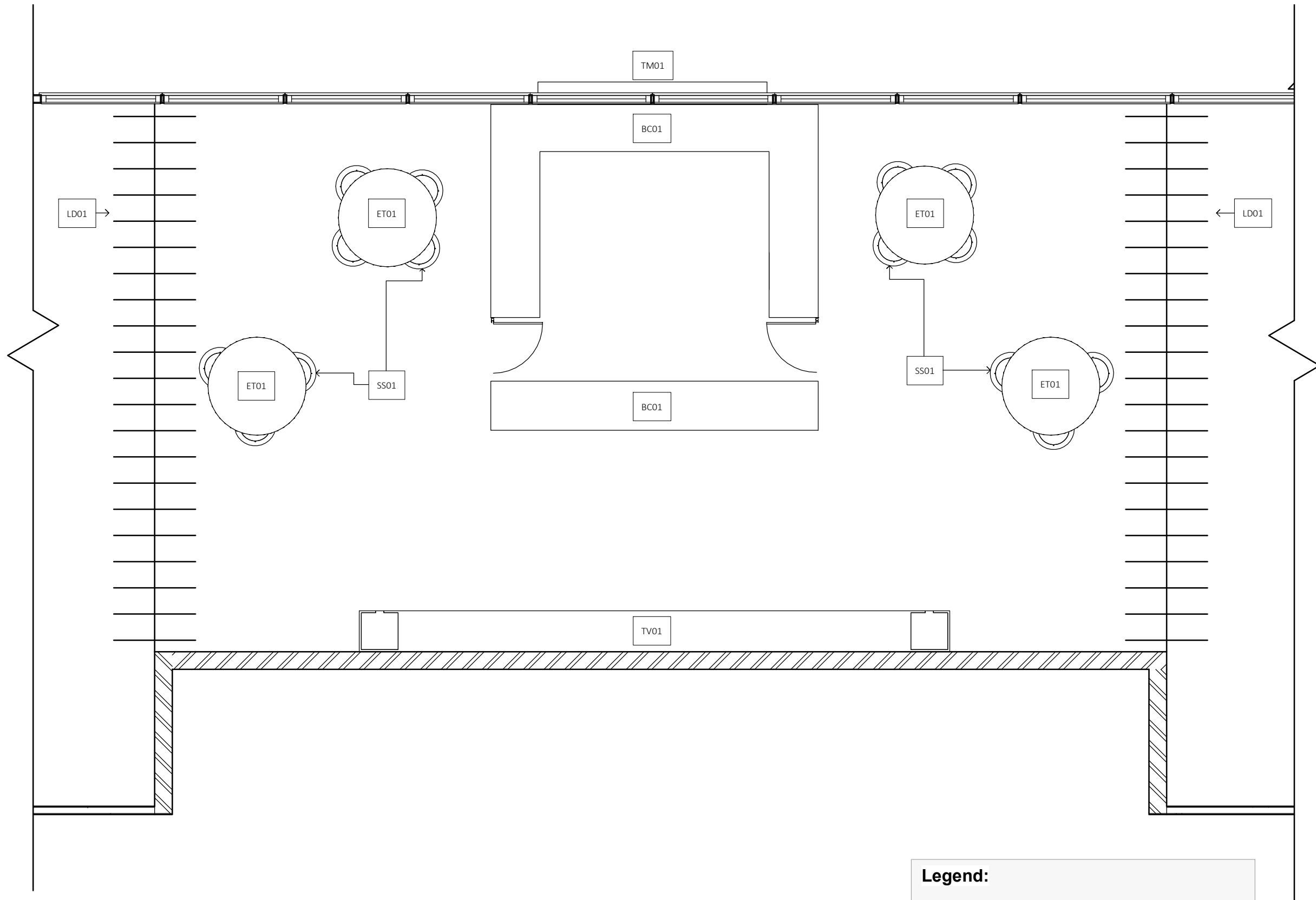
**Modelle Interiors**  
 900 Dandenong Road, Caulfield East,  
 VIC, 3145, Building B, Level 2  
 P: 03 8790 4417  
 M: +61 434 619 767  
 E. modelleinteriors@gmail.com

<b>Project Title:</b> The Sitting Room	<b>Drawing Number:</b> IA006
<b>Client:</b> The Standing Room	<b>Scale:</b> 1 : 50

# Dimensional Setout Plan

Drawn By: Nawal Makani  
 Date: 24/09/2022

**Notes:**

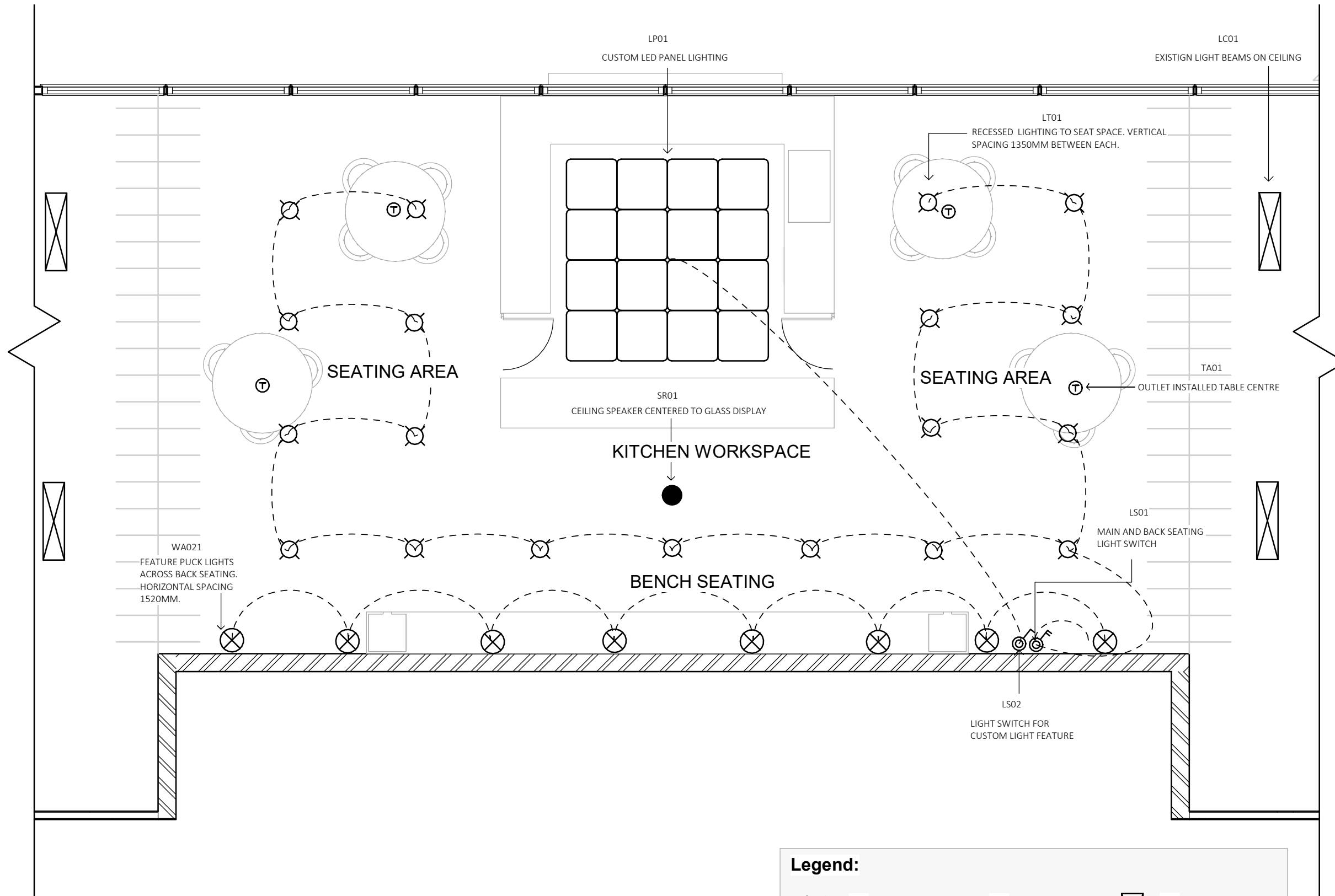


**Legend:**

BC01	WORKBENCH	SS01	STOOL
ET01	DINING TABLE	TM01	SERVING COUNTER
LD01	INSTALLED DRAPERY	TV01	BENCH SEAT

1 Furniture Plan  
IA007 1 : 50

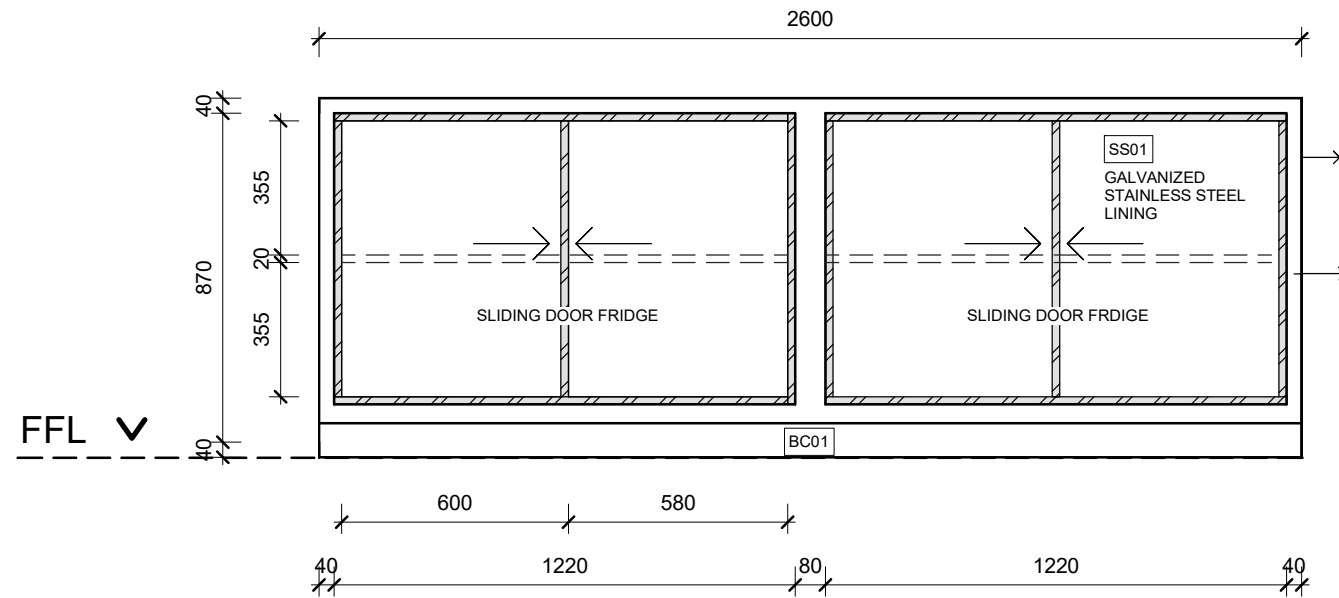




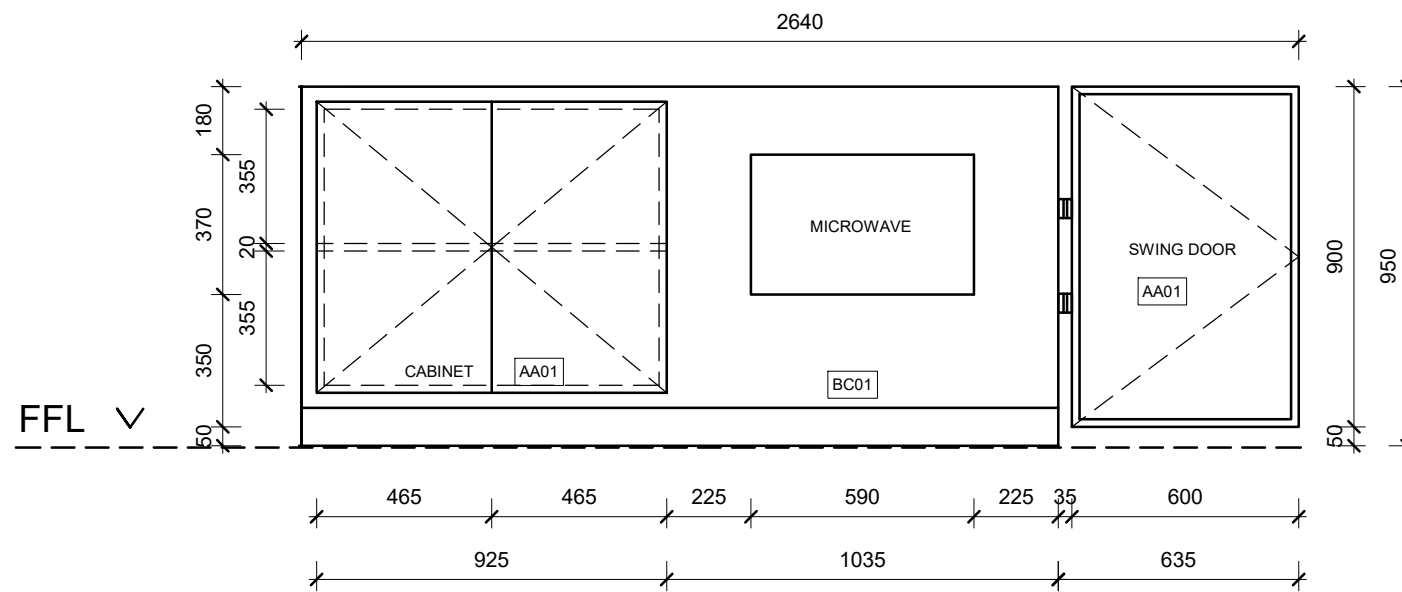
1  
IA008 **Lighting Plan**  
1 : 50

**Legend:**

	LT01 WORKBENCH		LS01 SINGLE GANG SWITCH		LC01 OVERHEAD LIGHT CONDUIT
	WA01 DINING TABLE		LS02 DOUBLE GANG SWITCH		TA01 TABLE OUTLET
	SR01 SPEAKER		LP01 LED PANEL		



1  
IA009 **Front Elevation**  
1 : 20



2  
IA009 **Right Elevation**  
1 : 20



**Modelle Interiors**

900 Dandenong Road, Caulfield East,  
VIC, 3145, Building B, Level 2  
P: 03 8790 4417  
M: +61 434 619 767  
E. modeleinteriors@gmail.com

**Project Title:** The Sitting Room

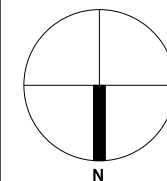
**Drawing Number:** IA009

**Drawing Name:**

**Client:** The Standing Room

**Scale:** 1 : 20

**Interior Elevations**

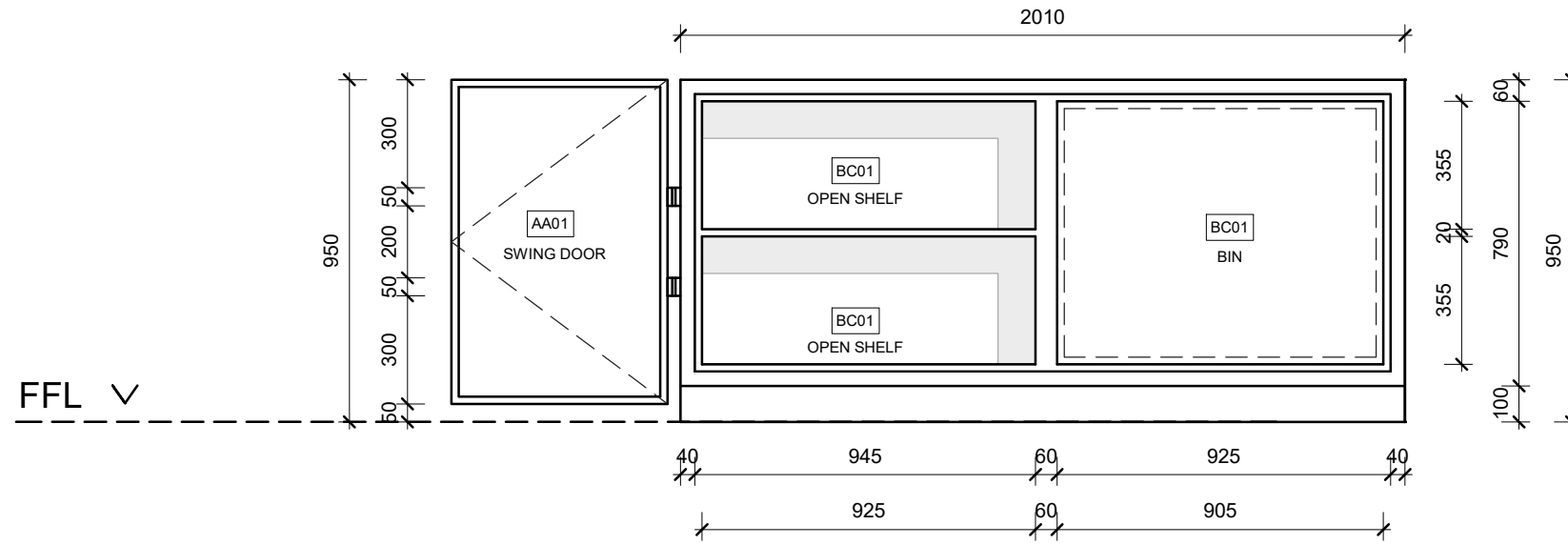


**Drawn By:** Nawal Makani

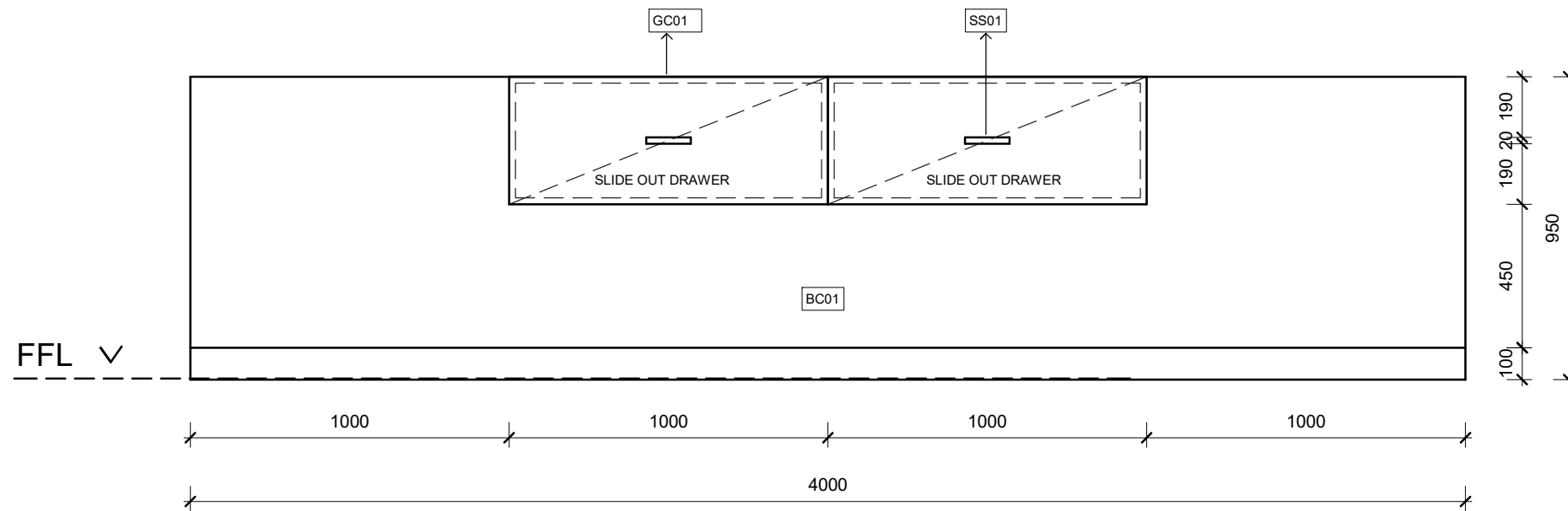
**Date:** 24/09/2022

**Notes:**

To be read in accordance with finishes schedule.



3 **Left Elevation**  
IA010 1 : 20



4 **Back Elevation**  
IA010 1 : 20



**Modelle Interiors**

900 Dandenong Road, Caulfield East,  
VIC, 3145, Building B, Level 2  
P: 03 8790 4417  
M: +61 434 619 767  
E. modeleinteriors@gmail.com

**Project Title:** The Sitting Room

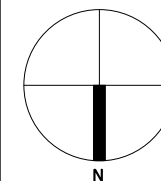
**Drawing Number:** IA010

**Drawing Name:**

**Client:** The Standing Room

**Scale:** 1 : 20

**Interior Elevations**

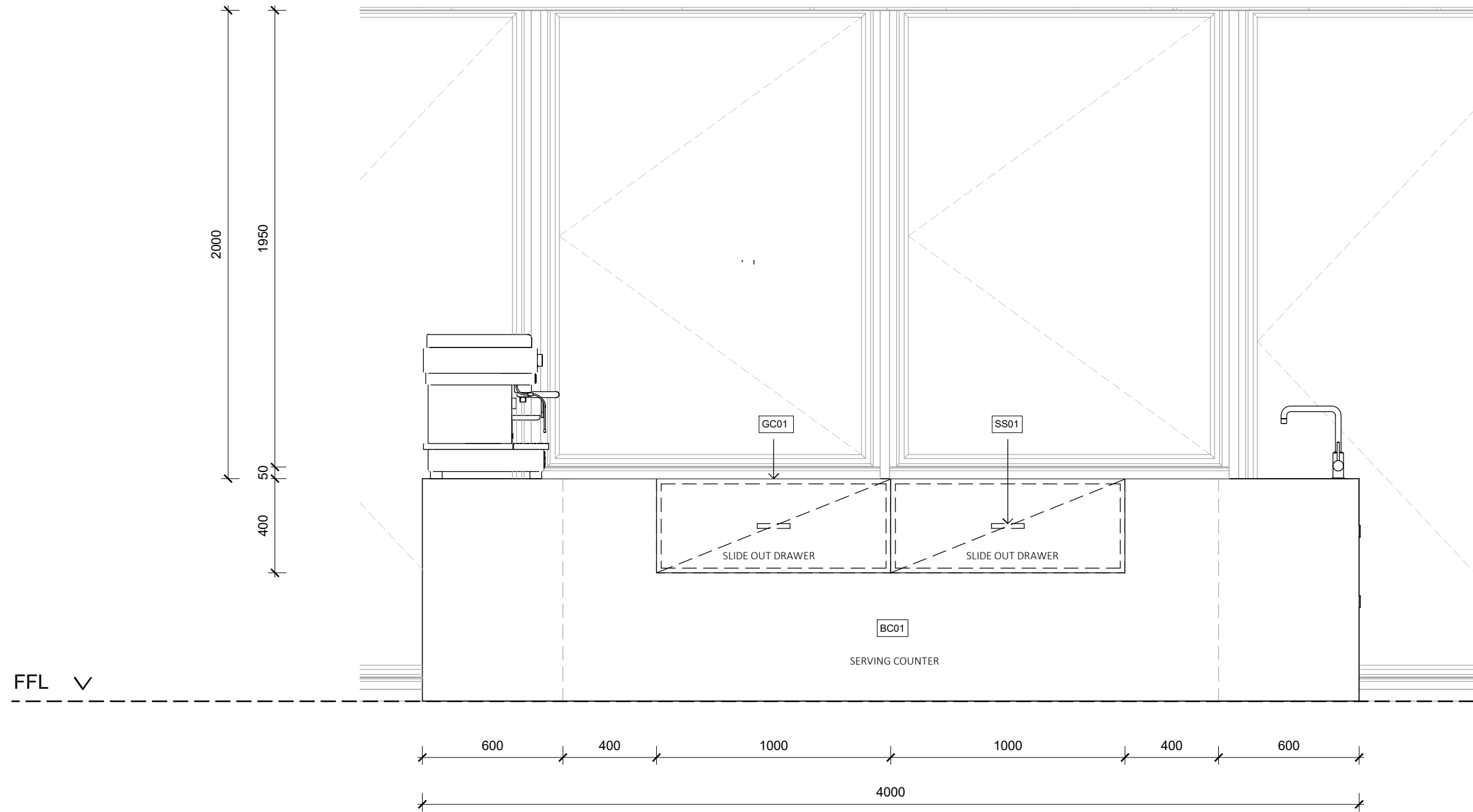


**Drawn By:** Nawal Makani

**Date:** 24/09/2022

**Notes:**

To be read in accordance with finishes schedule.



1  
IA011

**Exterior Elevation**  
1 : 20



**Modelle Interiors**

900 Dandenong Road, Caulfield East,  
VIC, 3145, Building B, Level 2  
P: 03 8790 4417  
M: +61 434 619 767  
E. modelleinteriors@gmail.com

**Project Title:** The Sitting Room

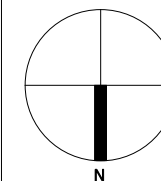
**Client:** The Standing Room

**Drawing Number:** IA011

**Scale:** 1 : 20

**Drawing Name:**

**Exterior Elevation**

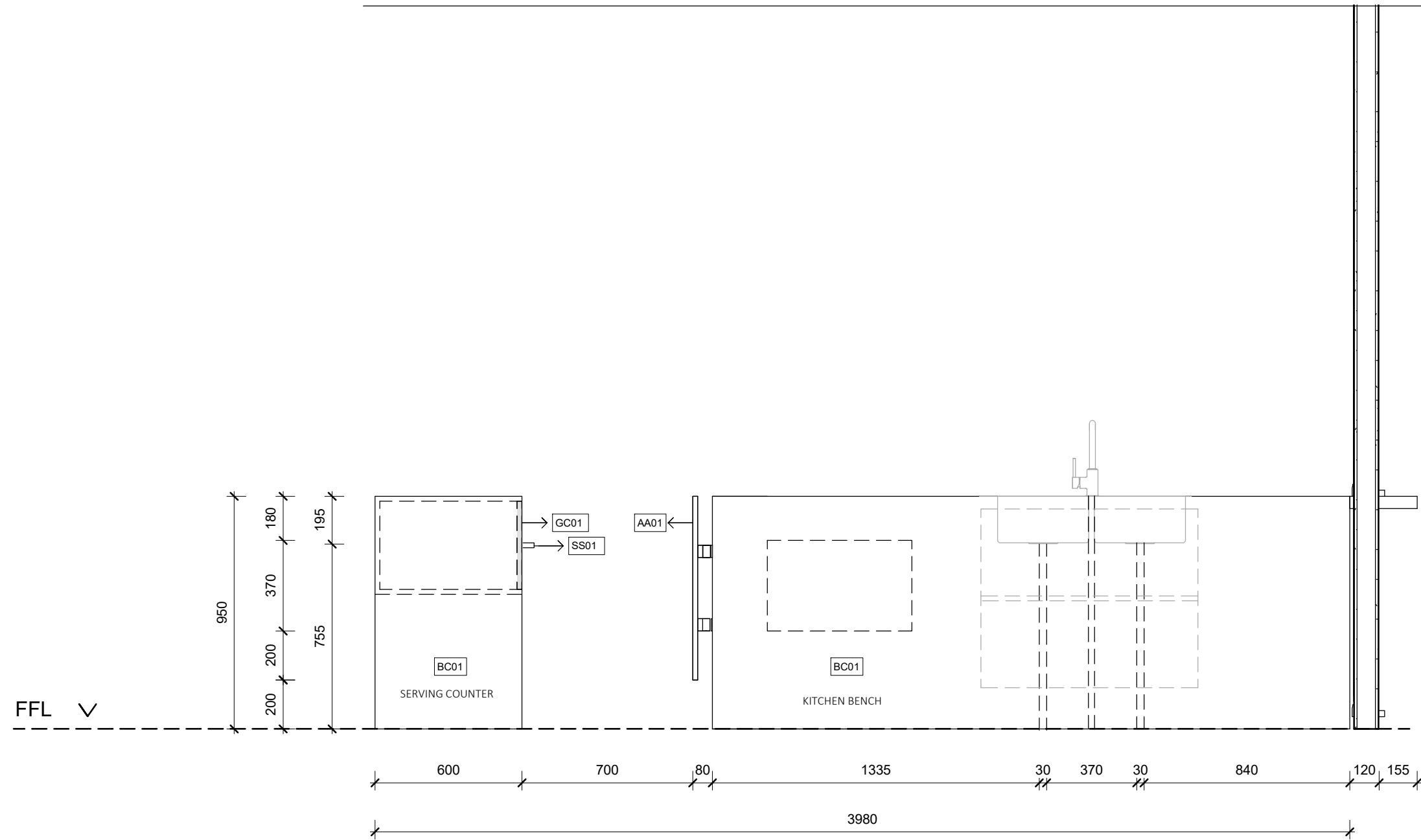


**Drawn By:** Nawal Makani

**Date:** 24/09/2022

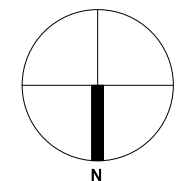
**Notes:**

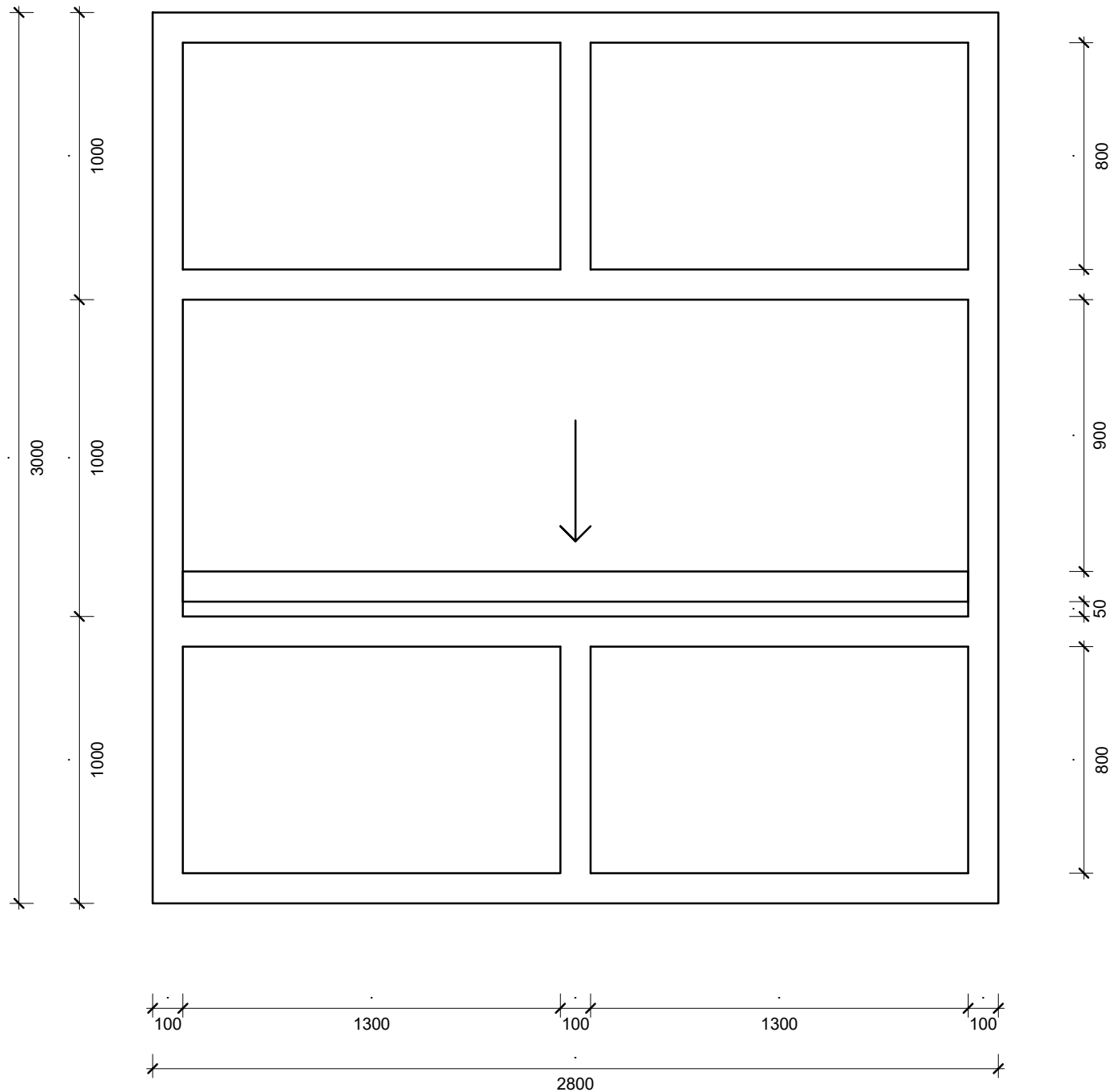
To be read in accordance with finishes schedule.



1  
IA012

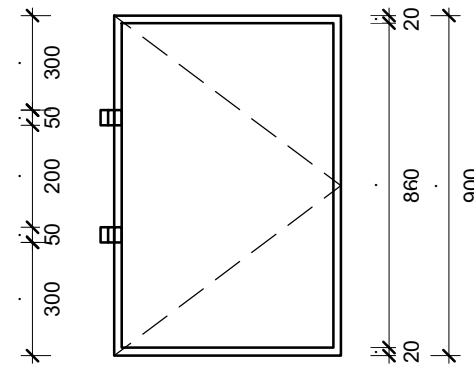
**Exterior Elevation 2**  
1 : 20





**W1** EXTERIOR SERVING WINDOW

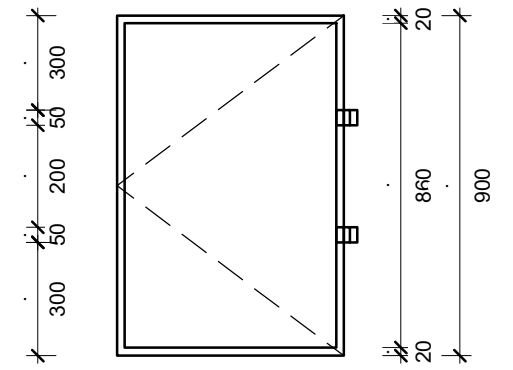
FRAME: 100MM WIDTH, TIMBER FRAMING  
 WINDOW: CAPRAL 2600MM SLIDING WINDOW  
 GLAZING: SINGLE CLEAR GLAZING



**D1** KITCHEN SWING DOOR

FRAME: 20MM WIDTH  
 TIMBER FRAME, BALL  
 BEARING HINGE

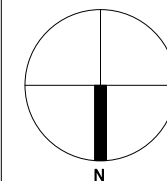
DOOR: MDF PANEL DOOR  
 ATTACHED TO KITCHEN  
 PRODUCTION BENCH.

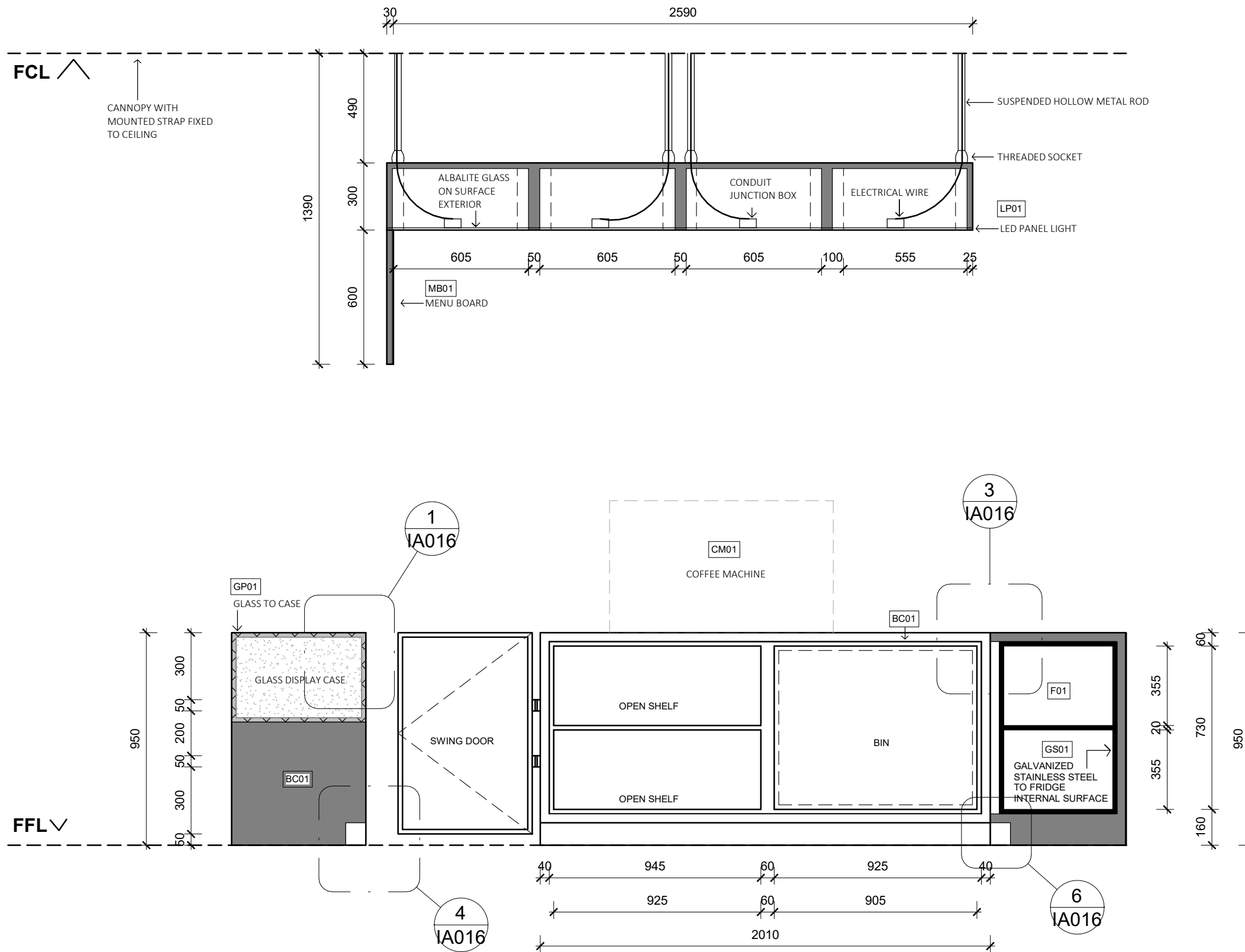


**D2** KITCHEN SWING DOOR

FRAME: 20MM WIDTH  
 TIMBER FRAME, BALL  
 BEARING HINGE


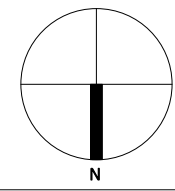
DOOR: MDF PANEL DOOR  
 ATTACHED TO KITCHEN  
 PRODUCTION BENCH.

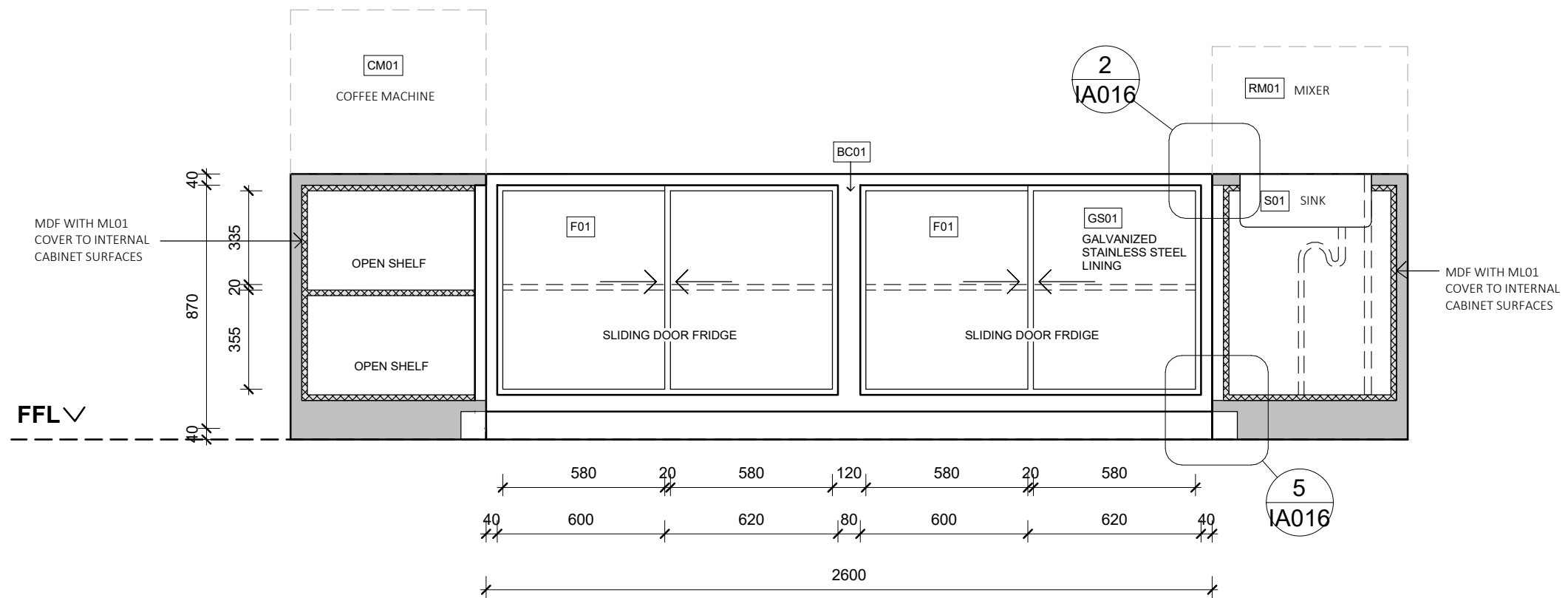
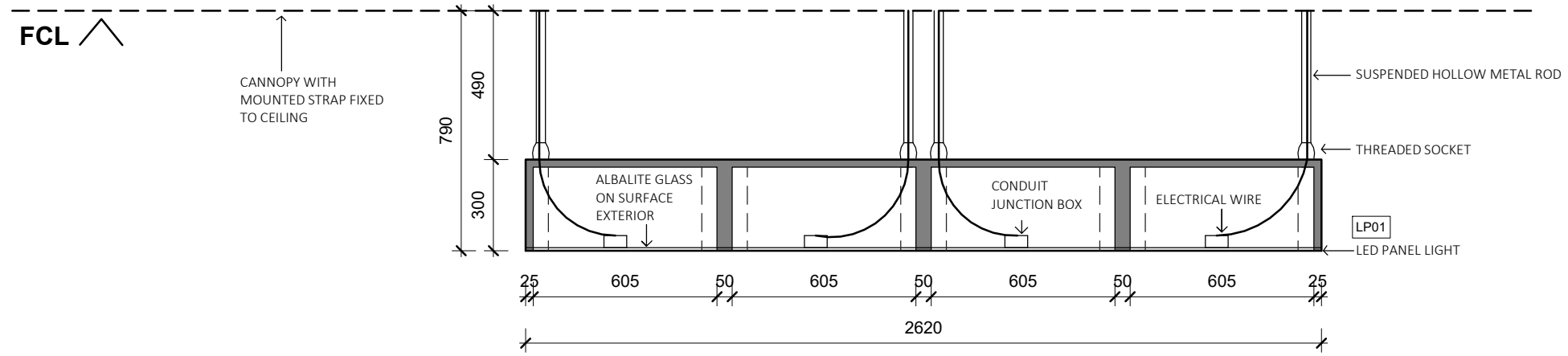




1  
IA014

**Section 1**  
1 : 20

 <p><b>Modelle Interiors</b> 900 Dandenong Road, Caulfield East, VIC, 3145, Building B, Level 2 P: 03 8790 4417 M: +61 434 619 767 E. modelleinteriors@gmail.com</p>	<p>Project Title: The Sitting Room</p>	<p>Drawing Number: IA014</p>	<p>Drawing Name:</p>		<p>Drawn By: Nawal Makani</p>	<p>Notes: To be read in accordance with schedules set.</p>
	<p>Client: The Standing Room</p>	<p>Scale: 1 : 20</p>	<p><b>Section 1</b></p>		<p>Date: 24/09/2022</p>	

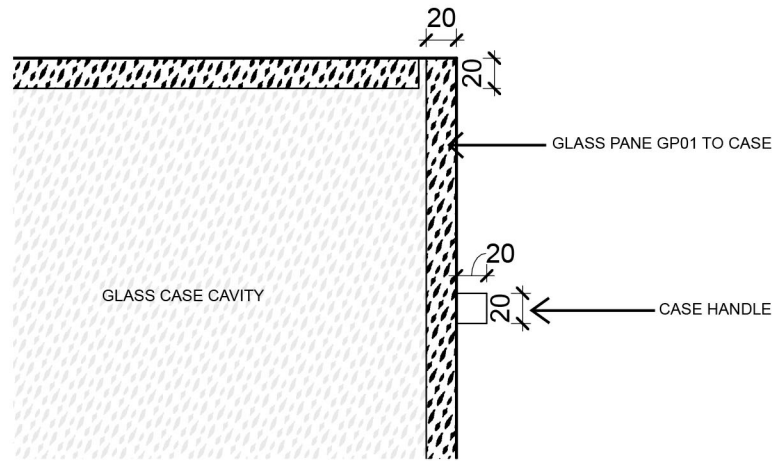


1  
IA015

**Section 2**  
1 : 20

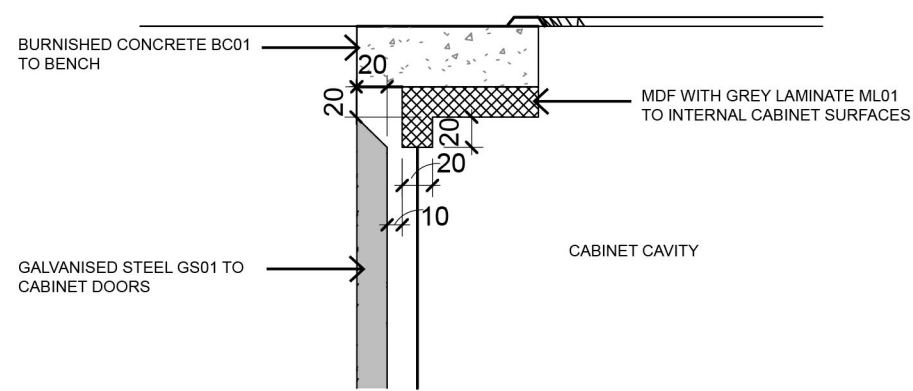
<p><b>Modelle Interiors</b> 900 Dandenong Road, Caulfield East, VIC, 3145, Building B, Level 2 P: 03 8790 4417 M: +61 434 619 767 E. modelleinteriors@gmail.com</p>	<p><b>Project Title:</b> The Sitting Room</p>	<p><b>Drawing Number:</b> IA015</p>	<p><b>Drawing Name:</b></p>		<p><b>Drawn By:</b> Nawal Makani</p>	<p><b>Notes:</b> To be read in accordance with schedules set.</p>
	<p><b>Client:</b> The Standing Room</p>	<p><b>Scale:</b> 1 : 20</p>	<p><b>Section 2</b></p>		<p><b>Date:</b> 24/09/2022</p>	





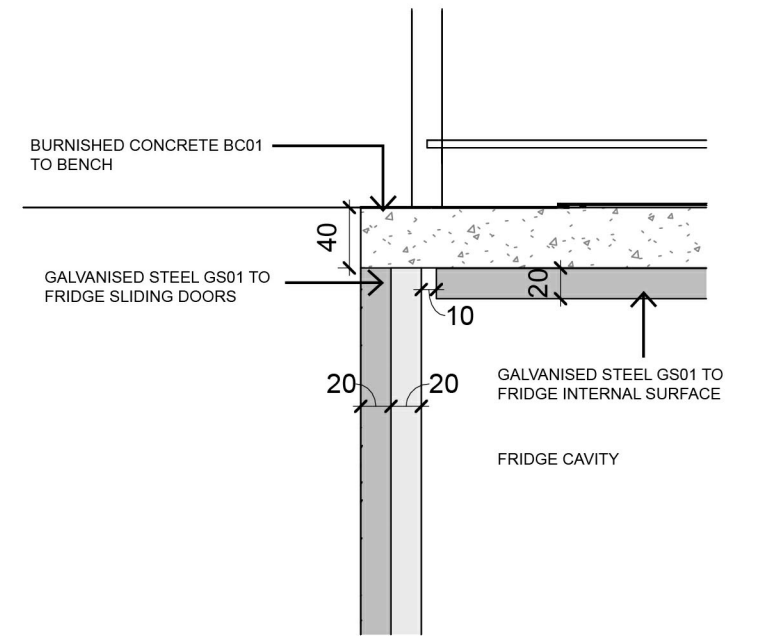
1

**CAFE WORKBENCH: DETAIL 1**  
SCALE 1:5



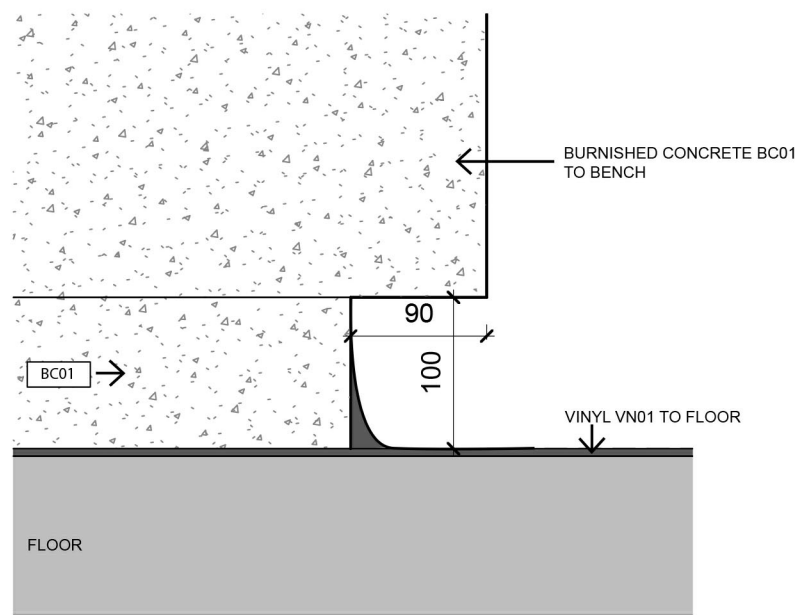
2

**FINGERPULL DETAIL 02**  
SCALE 1:5



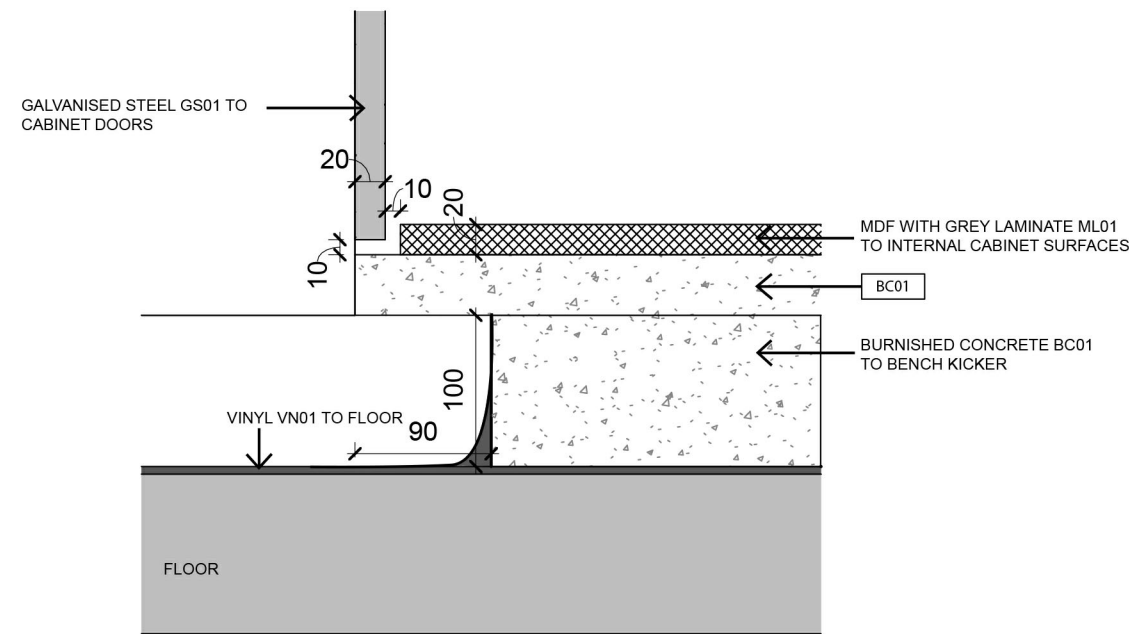
3

**SLIDING DOOR DETAIL 03**  
SCALE 1:5



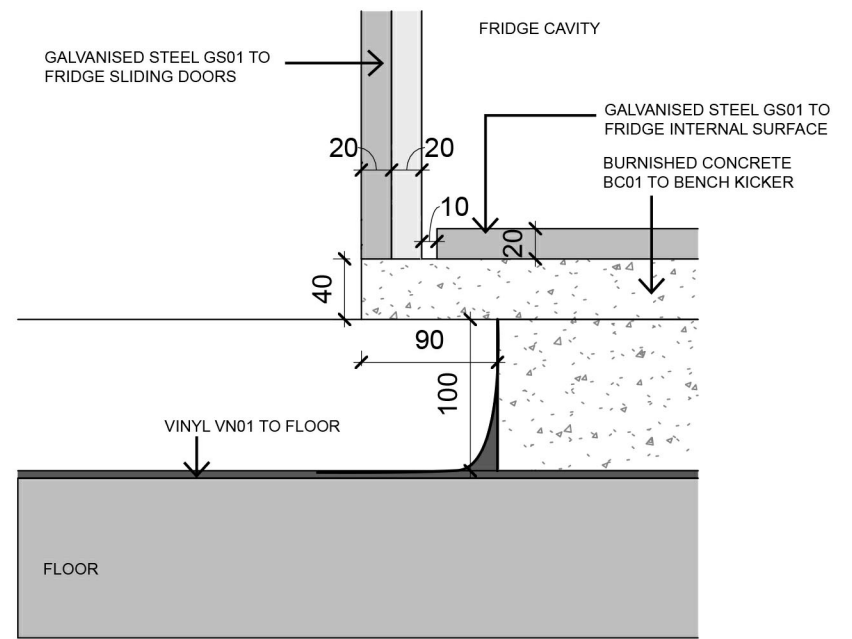
4

**SKIRTING DETAIL 04**  
SCALE 1:5



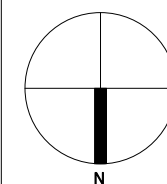
5

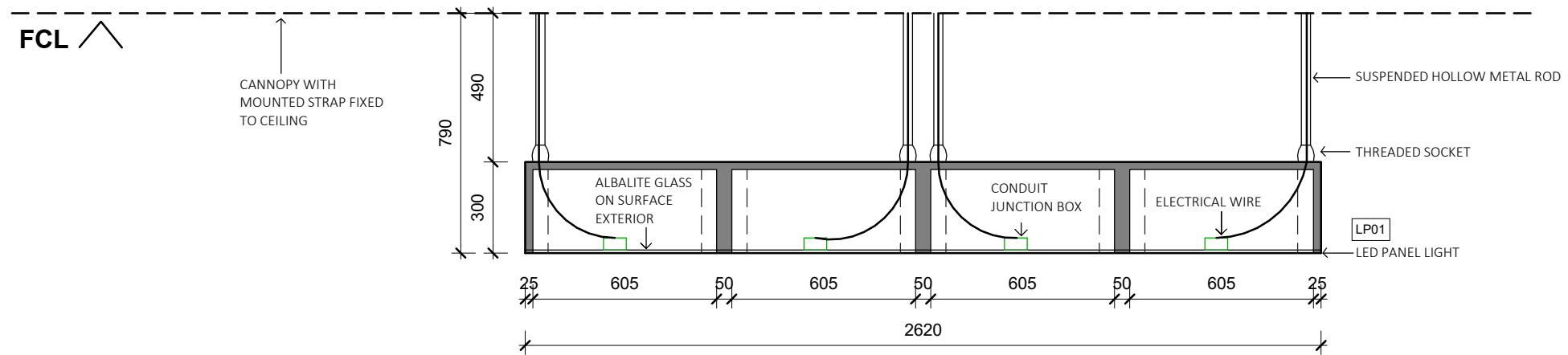
**SKIRTING DETAIL 05**  
SCALE 1:5



6

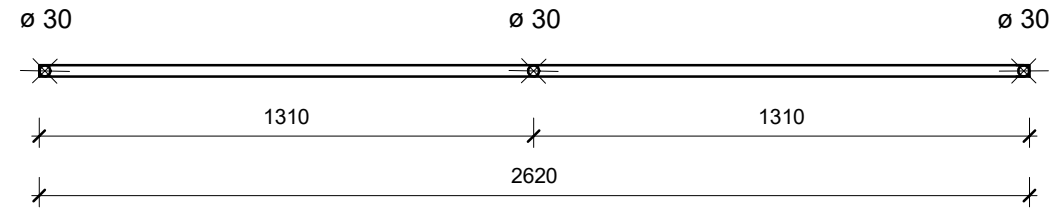
**SKIRTING DETAIL 06**  
SCALE 1:5



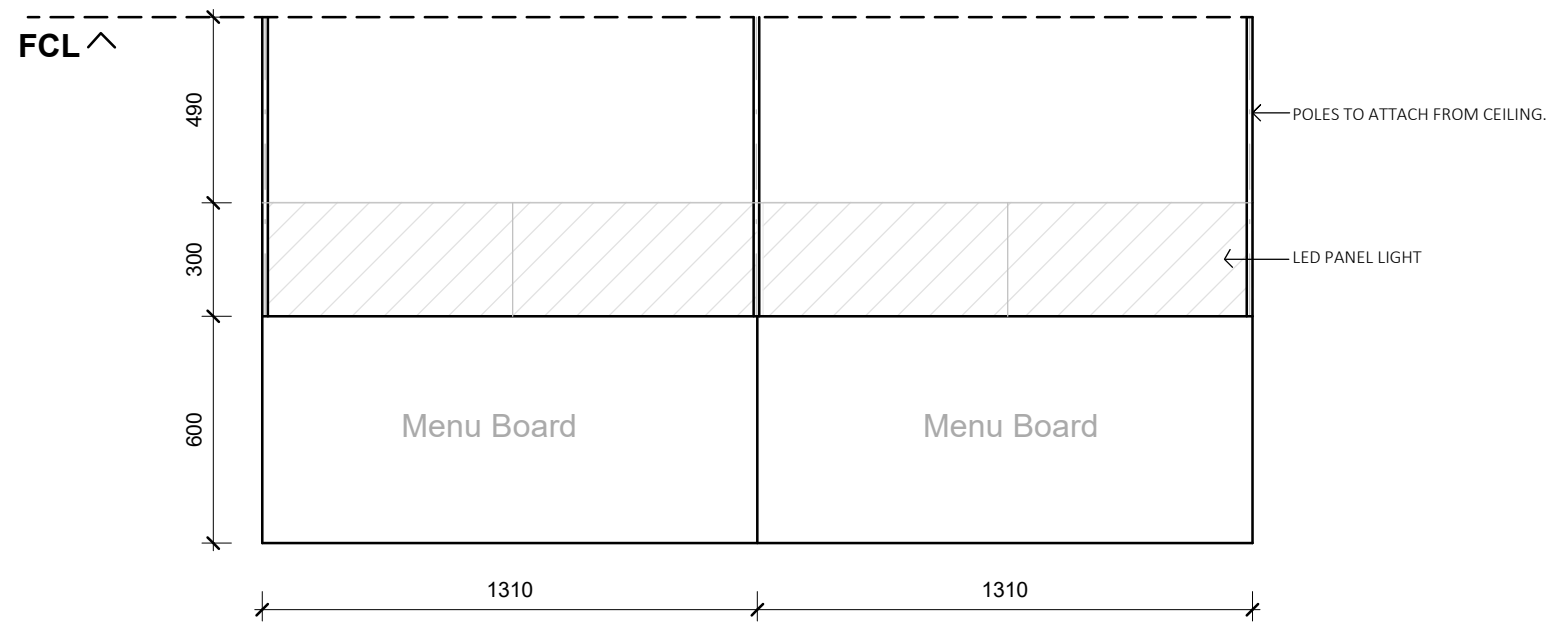


1  
IA017

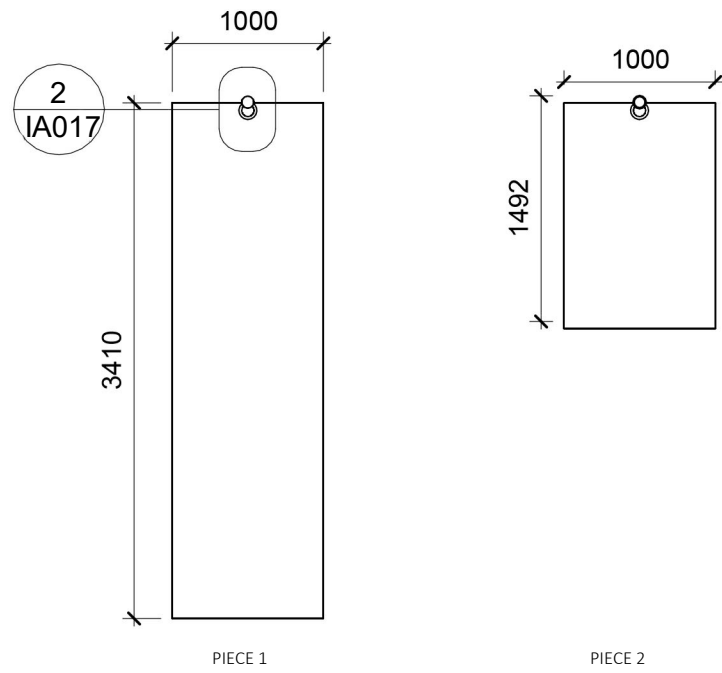
**Lighting Detail**  
1 : 20



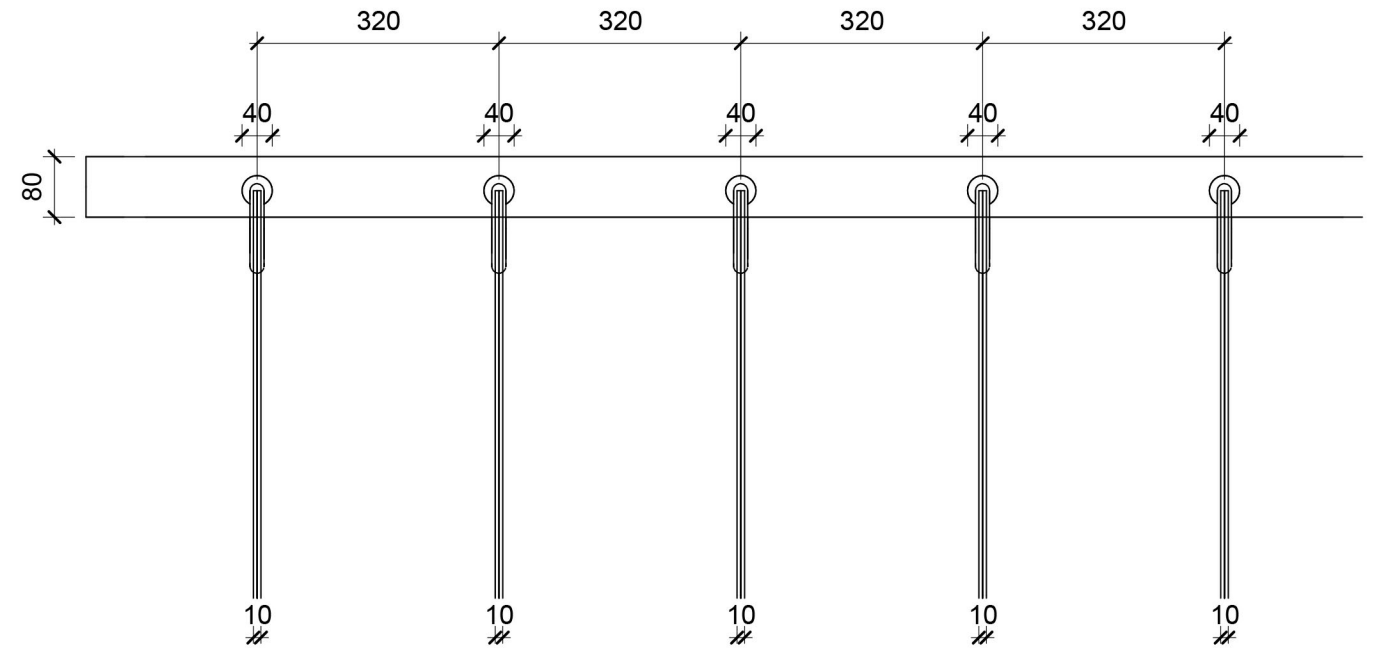
1 **Top View**  
IA016 1 : 20



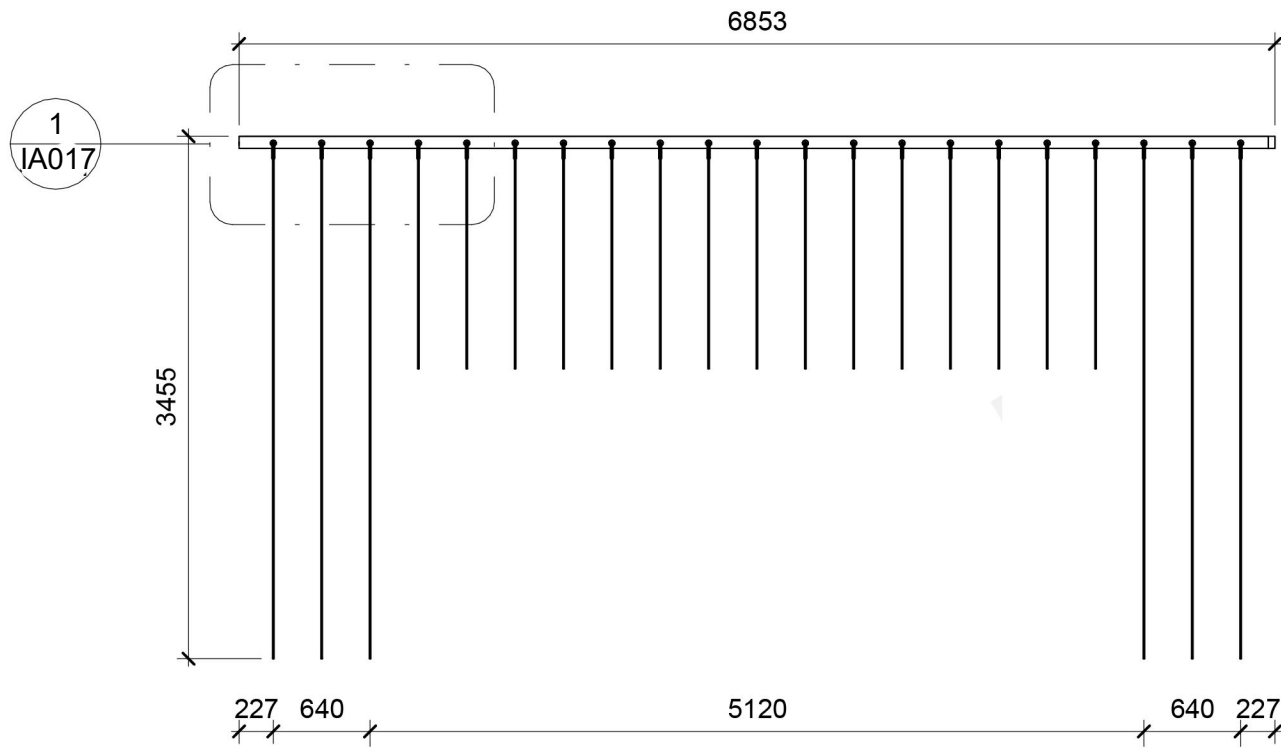
2 **Front Elevation**  
IA016 1 : 20



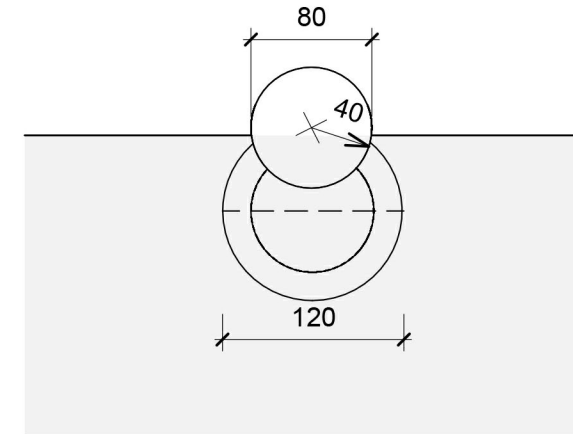
1 FABRIC INSTALLATION: FRONT ELEVATION  
IA017 SCALE 1:50



1 FABRIC INSTALLATION: DETAIL 1  
SCALE 1:10



2 FABRIC INSTALLATION: SIDE ELEVATION  
IA017 SCALE 1:50



2 FABRIC INSTALLATION: DETAIL 2  
SCALE 1:5